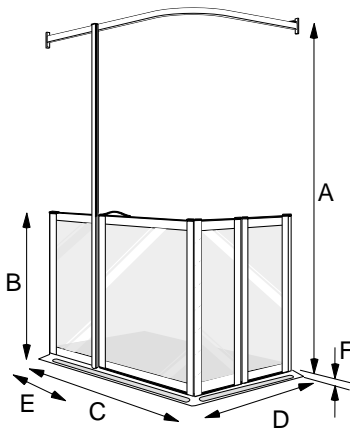


SHOWER TRAY SPECIFICATION GUIDE - EASY ACCESS

See pages 81-82 for details of How to order

ABBEYDALE 760 MODEL



Left hand shower tray Illustrated

REF	DIMENSIONS	ABBEYDALE 760 LEFT HAND TRAY	JAMB DETAIL
A	1950		
B	820		
C	1200		
D	860		
E	400		
F	70		
Thick black line denotes wall position			

Notes

Door size: 1115mm x 760mm (including jamb)

Internal showering area: L= 1095mm x W=740mm

1. Dimension A is to the top of the assistance pole (from the shower tray). A 2500mm floor to ceiling, or 2500mm floor to curtain rail pole (to special order) are also available (both can be trimmed)
2. The Abbeydale 760 is supplied with edging strips. Add 30mm to dimensions C&D
3. Dimensions C&D are measured from the face of the tiling lip

SHOWER CHAIR COMPATIBILITY

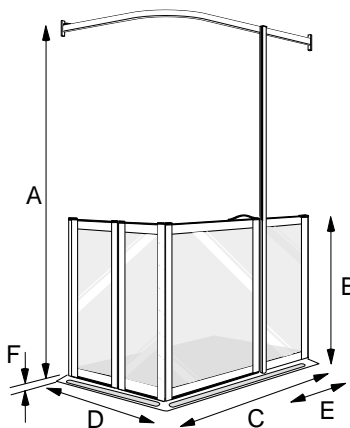


Self propelled models



Attendant propelled models

ABBEYDALE 760 MODEL



Right hand shower tray Illustrated

REF	DIMENSIONS	ABBEYDALE 760 RIGHT HAND TRAY	JAMB DETAIL
A	1950		
B	820		
C	1200		
D	860		
E	400		
F	70		
Thick black line denotes wall position			

Notes

Door size: 1115mm x 760mm (including jamb)

Internal showering area: L= 1095mm x W=740mm

1. Dimension A is to the top of the assistance pole (from the shower tray). A 2500mm floor to ceiling, or 2500mm floor to curtain rail pole (to special order) are also available (both can be trimmed)
2. The Abbeydale 760 is supplied with edging strips. Add 30mm to dimensions C&D
3. Dimensions C&D are measured from the face of the tiling lip

SHOWER CHAIR COMPATIBILITY



Self propelled models



Attendant propelled models

SYMBOLS:

Bulk/oversized item



Made to order (see P200)



Tel: 0800 917 0399

www.chilterninvadex.co.uk

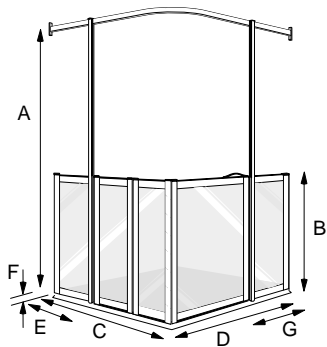
Fax: +44 (0) 1869 365588

sales@chilterninvadex.co.uk

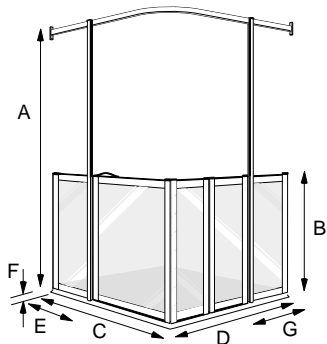
SHOWER TRAY SPECIFICATION GUIDE - EASY ACCESS

See page 83 for details of How to order

ABBEYDALE 850 MODEL



Shower tray not handed
Left hand door Illustrated



Shower tray not handed
Right hand door Illustrated

Ref	Dimensions	ABBEYDALE 850 LEFT HAND DOOR	JAMB DETAIL
A	1950		
B	820		
C	960		
D	960		
E	149		
F	70		
G	149		
Thick black line denotes wall position			

Ref	Dimensions	ABBEYDALE 850 RIGHT HAND DOOR	JAMB DETAIL
A	1950		
B	820		
C	960		
D	960		
E	149		
F	70		
G	149		
Thick black line denotes wall position			

SHOWER CHAIR COMPATIBILITY



Self propelled models



Attendant propelled models

The Abbeydale 850 is not suitable for attendant or self propelling shower chairs, but will accommodate the W02 Static shower chair.

Notes

Door size: 850mm x 850mm (including jambs)
Internal showering area: L=830mm x W=830mm

1. Dimension A is to the top of the assistance pole (from the shower tray). 2500mm floor to ceiling, or 2500mm floor to curtain rail poles (both to special order) are also available (both can be trimmed)
2. The Abbeydale 850 is supplied with an edging strip. Add 30mm to dimensions C&D
3. Dimensions C&D are measured from the face of the tiling lip

SYMBOLS:

Bulk/oversized item



Made to order (see P200)



Tel: 0800 917 0399

www.chilterninvadex.co.uk

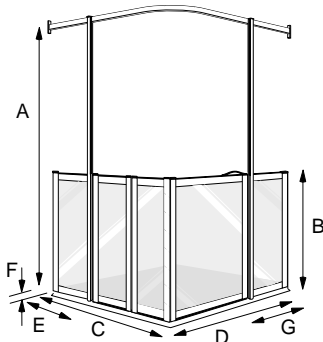
Fax: +44 (0) 1869 365588

sales@chilterninvadex.co.uk

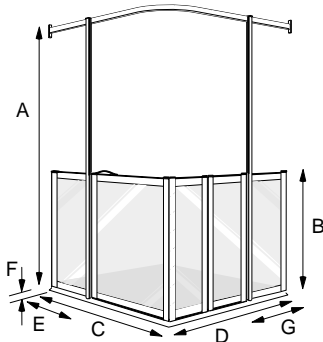
SHOWER TRAY SPECIFICATION GUIDE - EASY ACCESS

See page 84 for details of How to order

ABBEYDALE 950 MODEL



Shower tray not handed
Left hand door Illustrated



Shower tray not handed
Right hand door Illustrated

Ref	Dimensions	ABBEYDALE 950 LEFT HAND DOOR	JAMB DETAIL
A	1950		<p>Plan view</p>
B	820		
C	1080		
D	1080		
E	249		
F	70		
G	249		
Thick black line denotes wall position			

Ref	Dimensions	ABBEYDALE 950 RIGHT HAND DOOR	JAMB DETAIL
A	1950		<p>Plan view</p>
B	820		
C	1080		
D	1080		
E	249		
F	70		
G	249		
Thick black line denotes wall position			

SHOWER CHAIR COMPATIBILITY



Self propelled models



Attendant propelled models

Notes

Door size: 950mm x 950mm (including jambs)

Internal showering area: L=930mm x W=930mm

1. Dimension A is to the top of the assistance pole (from the shower tray). 2500mm floor to ceiling, or 2500mm floor to curtain rail poles (both to special order) are also available (both can be trimmed)
2. The Abbeydale 950 is supplied with an edging strip. Add 30mm to dimensions C&D
3. Dimensions C&D are measured from the face of the tiling lip

SYMBOLS:

Bulk/oversized item



Made to order (see P200)



Tel: 0800 917 0399

www.chilterninvadex.co.uk

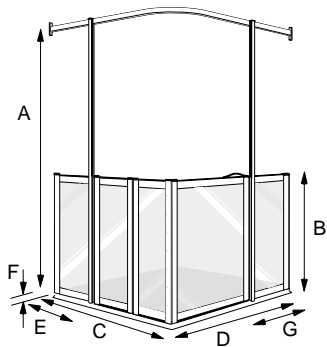
Fax: +44 (0) 1869 365588

sales@chilterninvadex.co.uk

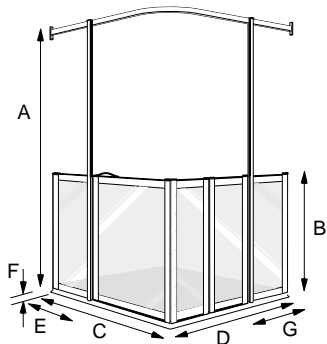
SHOWER TRAY SPECIFICATION GUIDE - EASY ACCESS

See page 85 for details of How to order

ABBEYDALE 1050 MODEL



Shower tray not handed
Left hand door Illustrated



Shower tray not handed
Right hand door Illustrated

Ref	Dimensions	ABBEYDALE 1050 LEFT HAND DOOR	JAMB DETAIL
A	1950		
B	820		
C	1200		
D	1200		
E	349		
F	70		
G	349		
Thick black line denotes wall position			

Ref	Dimensions	ABBEYDALE 1050 RIGHT HAND DOOR	JAMB DETAIL
A	1950		
B	820		
C	1200		
D	1200		
E	349		
F	70		
G	349		
Thick black line denotes wall position			

SHOWER CHAIR COMPATIBILITY



Self propelled models



Attendant propelled models

Notes

Door size 1050mm x 1050mm (including Jamb)
Internal showering area: L= 1030mm x W=1030mm

1. Dimension A is to the top of the assistance pole (from the shower tray). 2500mm floor to ceiling, or 2500mm floor to curtain rail poles (both to special order) are also available (both can be trimmed)
2. The Abbeydale 1050 is supplied with an edging strip. Add 30mm to dimensions C&D
3. Dimensions C&D are measured from the face of the tiling lip

SYMBOLS:

Bulk/oversized item



Made to order (see P200)



Tel: 0800 917 0399

www.chilterninvadex.co.uk

Fax: +44 (0) 1869 365588

sales@chilterninvadex.co.uk